

# ACS PRO INPUT/OUTPUT MODULES

## Remote Expansion Solutions

The Honeywell ACS PRO controller provides intelligent, flexible, and scalable solutions beyond access control



The ACS PRO system enables users to securely manage their system in conjunction with the dedicated access control software IQ-MultiAccess. The ACS PRO controller gives you all the benefits of traditional access control, such as helping secure doors, manage employee access and manage sites remotely.

With the introduction of the secure IB2 connection on the expansion RS-485 interfaces, ACS PRO now can connect securely up to 32 IB2 expansion devices, such as input/output modules and relay output modules.

ACS PRO can save on installation costs and provides additional applications such as expanded access control (beyond 4 doors) and elevator control. Due to the modular design, the IB2 expansion devices can be easily installed in their wall mount plastic enclosures, used with DIN-Rail and installed inside a metal enclosure, or even on top of the ACS PRO controller.

ACS PRO has been developed with an installer-friendly design that easily adapts to existing IT infrastructure and methods, reducing installation and support costs. So as your system grows, ACS PRO grows with you.

## FEATURES AND BENEFITS



### INCREASED PRODUCTIVITY

Multi-site access management for global credentials is made easy with IQ-MultiAccess, including visitor management

Multi-site visualization of alarm management and event procedure management and integration with intrusion, video, fire and building automation systems is made easy with WINMAG, meeting compliance needs

Inputs/outputs are monitored and controlled with the same software



### FASTER INSTALLATION

Input/output module hardware can fit on top of the controller, as well as remotely connected to the panel in their own plastic enclosure or mounted in the standard metal enclosure

I/O module and ACS PRO monitoring inputs configurable for various resistor values and digital inputs, for backward compatibility on ACS-8 peripherals (12.1 kOhm) and non-resistor switches

Save cable installation cost using expansion devices



### LOWER COST OF OWNERSHIP

Designed to scale with your business, single to multi-site without replacing hardware

Single hardware strategy allows stock of one type of device and low service stock, still meeting end customer demands through license activated functionalities

ACS PRO remains Backward compatibility for ACS-8 I/O modules on Modulbus protocol

Replacing ACS-8 I/O modules with IB2 modules does not require replacement of EOL resistor in peripherals such as sensor and door contacts



### ENHANCED SECURITY

Security certificate capability ensures secure and trusted connections to the panel

Module communication is per IB2 encrypted protocol, adding a range of IB2 devices to the ACS PRO controller



### FLEXIBLE SOLUTION

Licenses allow full scalability in connectivity of additional doors, features and extensions without swapping out hardware

Remote I/O modules can be the physical connection to the door control and monitoring

Extensive macro control engine allows flexible triggers and procedures, also to the I/O modules

**Honeywell**

# ACS PRO - I/O MODULE REMOTE EXPANSION SOLUTIONS

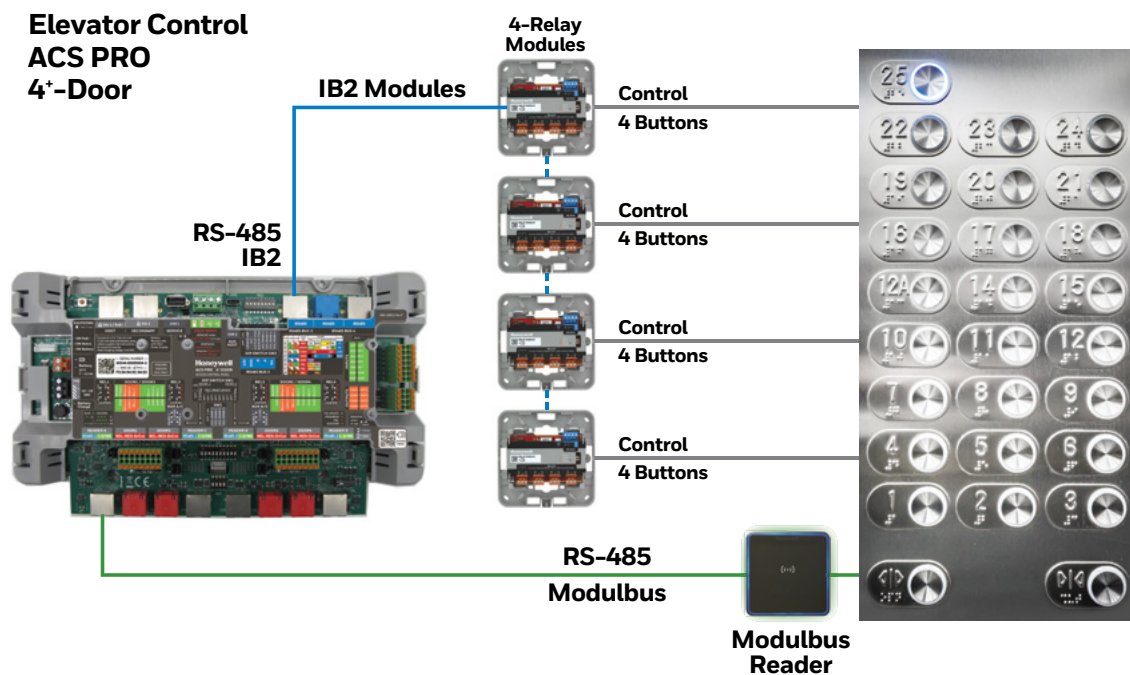
## EXPANSION MODULES OVERVIEW

After applying firmware V02.04 or higher, the ACS PRO controller can manage up to 32 IB2 expansion modules.

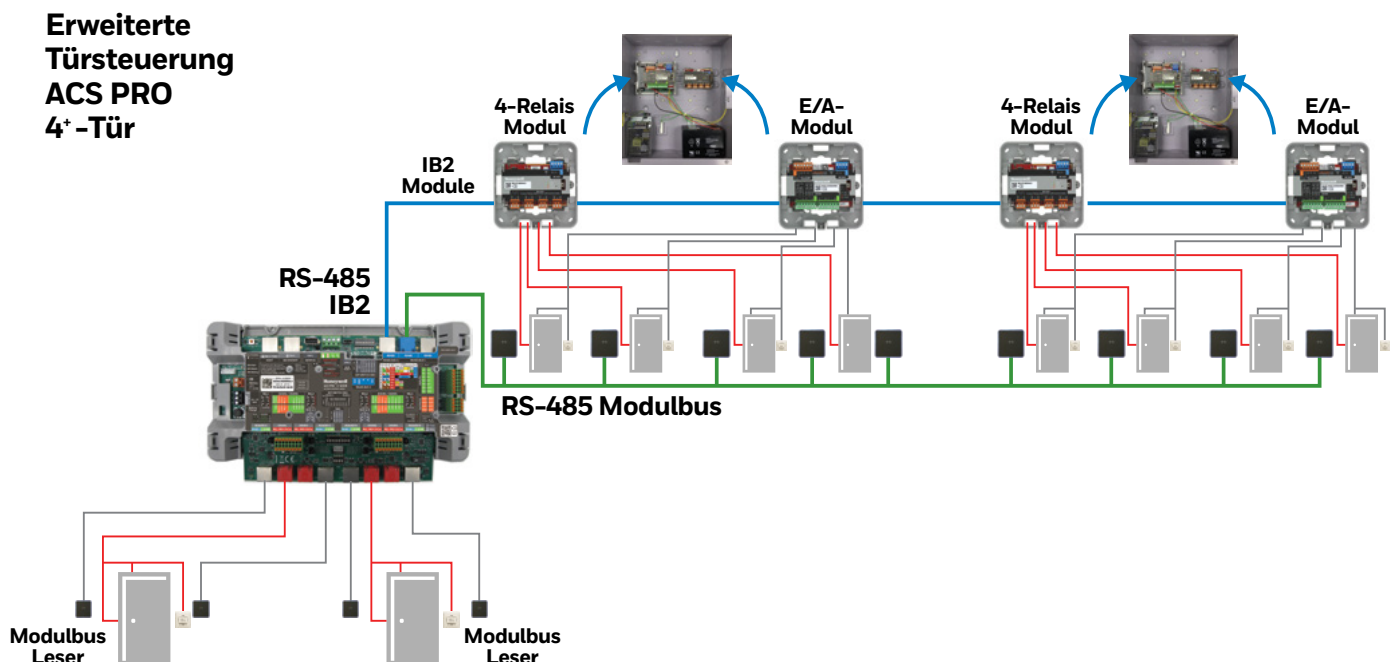
Because the default 2-door configuration does not activate the extension busses (RS-485 BUS 3 and RS-485 BUS 4), the IB2 communication is not available and no IB2 modules can be operated.

In a 4+ door configuration (after adding license ACS-LIC2D) the IB2 communication can be selected per bus on the RS-485 extension busses. Up to 32 IB2 modules can be connected on the extension RS-485 busses (16 modules per bus). IB2 extension modules can be used to connect the door peripherals or external sensors, or external device inputs to the ACS PRO controller.

In this way the number of elevator floors in a hard-wired configuration can be extended with 128 floors per panel.



IB2 modules can be connected to the controller per bus. It is possible to connect Modbus readers to one extension RS-485 bus and IB2 modules to the other extension RS-485 bus. This allows extension up to 16 doors with I/O modules and separate bus with RS-485 Modbus readers.



# ACS PRO - I/O MODULE REMOTE EXPANSION SOLUTIONS

## EXPANSION MODULES

### ZONE EXPANDER

The zone expander module provides eight additional hardwired inputs for use with ACS PRO controllers and four additional low voltage trigger outputs.

MPIEIO84E	
BOARD POWER	
Input Voltage	13.8 Vdc nominal (10 to 14.5 Vdc)
Current, Idle	35 mA
Current, Max	60 mA (all zones active)
ZONES (INPUTS) (X 8)	
Voltage	3.3 Vdc
Resistance Tolerance	1% max
TRIGGER OUTPUTS (X 4)	
Trigger Output Voltage	13.7 Vdc (0 Vdc switched)
Max. Current (Per Output)	180 mA
ENVIRONMENTAL	
Operating Temperature	-10 to 50° C/indoor use only
Humidity	Max 93% RH, non-condensing
Ingress and Impact Protection	EN 60529:1992+A2:2013: IP42 EN 62262:2002: IK06
PHYSICAL	
Dimensions (W × H × D)	With enclosure: 14.6 cm × 14.6 cm × 3.4 cm



### FEATURES WITH ACS PRO

- Eight hard-wired inputs with support for two wiring types:
  - Supervised EOL resistor, double balanced (1K, 2K2, 12K1 Ohm)
  - Unsupervised without resistor NC, NO, digital input
- Four programmable low voltage trigger outputs
- Separate remote enclosure or cabinet mounting
- Lid and off-wall tamper protection, bypassable

### RELAY MODULE

The relay module provides four additional programmable, unsupervised relays for use with ACS PRO controllers.

MPIEOP4	
BOARD POWER	
Input Voltage	13.8 Vdc nominal (10 to 14.5 Vdc)
Current, Idle	15 mA
Current, Max	185 mA (relays active)
Relays (x4)	Contact rating 28 Vdc max. 2.8 A (resistive load) per relay
ENVIRONMENTAL	
Operating Temperature	-10 to 50°C/indoor use only
Humidity	Max 93% RH, non-condensing
Ingress and Impact Protection	EN 60529:1992+A2:2013: IP42 EN 62262:2002: IK06
PHYSICAL	
Dimensions (W × H × D)	With enclosure: 14.6 cm × 14.6 cm × 3.4 cm



### FEATURES WITH ACS PRO

- Four non-supervised change over relays
- Status LEDs
- Separate remote enclosure or cabinet mounting
- Lid and off-wall tamper protection, bypassable

# ACS PRO - I/O MODULE REMOTE EXPANSION SOLUTIONS

## EXPANSION MODULES

### REMOTE POWER SUPPLY

The MPI Remote Power Supply (RPS) is a supplemental smart power supply. The RPS provides two additional 12 Vdc power outputs (1.5 A each) to those modules and peripherals requiring external power (such as door strikes and electronic locks) and in the meantime RPS provides a battery back up solution if required.

The RPS is designed for mounting in the MPA2ENCME metal enclosure and is compatible with its 3.3 A power supply unit. When the RPS is mounted in the MPA2ENCME, the enclosure still provides space for two MPI expander modules or a DCM Plus.



### FEATURES WITH ACS PRO

- Only in stand alone mode available
- IB2 not functional, so not available:
  - Four programmable electronic outputs
  - Alerts and status of power supply
  - Lid and off-wall tamper protection
- Short isolation protection
- Support for up to 2 x 18 Ah backup batteries
- Designed for mounting in MPA2ENCME enclosure - compatible with power supply

MPIPSU35	
BOARD POWER	
Input Voltage	14 Vdc nominal (13.6 to 14.5 Vdc)
Idle Current	35 mA
Max Current	35 mA
Backup Battery	Up to 2 x 12 Vdc Sealed lead acid (SLA) battery
Recommended Batteries	NP7-12FR ( <b>018004.10</b> ) Yuasa NP12-12FR ( <b>018011.10</b> ) Yuasa NP17-12IFR ( <b>018007.10</b> )
Battery Protection	System has protection for charging and reverse polarity connection
Battery Low Voltage	11.2 Vdc
Battery Deep Discharge Protection	10.5 Vdc
Minimum Supported Battery Voltage	9.5 Vdc
AUXILIARY OUTPUTS	
Aux 1, Aux 2	13.8 Vdc nominal (10.2 to 14.4 Vdc) 1.5 A max. per auxiliary output. In the event of a failure, overvoltage protection will operate at 16.5 Vdc
Total Current Available for Aux. Outputs	The combined load from all auxiliary outputs depends on battery capacity and must not exceed the maximums as given in the current ratings table (see further below)
Aux Low Power Output Fault	10.0 Vdc
Aux High Power Output Fault	14.5 Vdc
Circuit Protection	All circuits are power limited using PTCs
LOW VOLTAGE TRIGGER OUTPUTS (X 4)	
Trigger Output Voltage	13.8 Vdc (0 Vdc with switches)
Max. Current	Triggers 1 to 3: 75 mA per output Trigger 4: 250 mA
ENVIRONMENTAL	
Operating Temperature	-10 to +50° C/Indoor use only
Humidity	Max 93% RH, non-condensing
Ingress and Impact Protection	See specification for the cabinet
PHYSICAL	
Dimensions (W x H x D)	15,7 cm x 12,7 cm x 4,2 cm



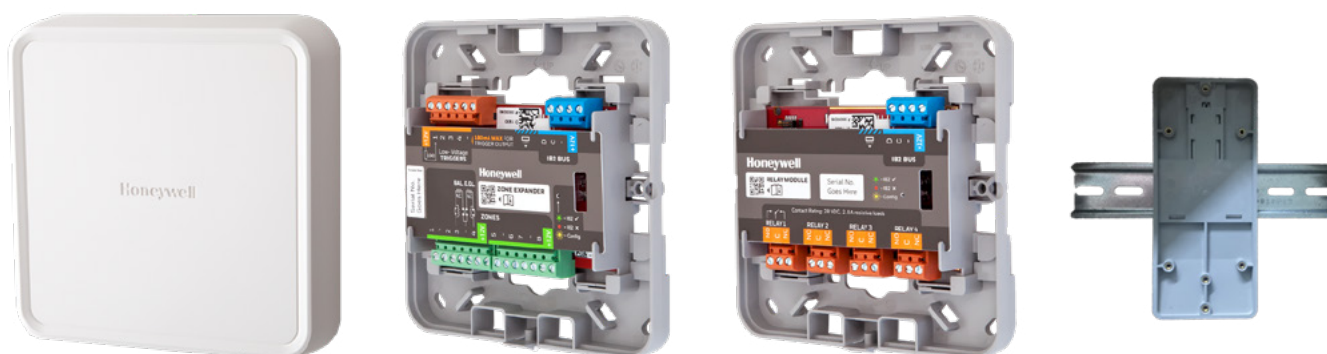
CURRENT RATINGS FOR AUX. OUTPUTS 1 & 2				
Battery Capacity	7 Ah	12/14 Ah	17/18 Ah	36 Ah <sup>1</sup>
Recharge 72h	500 mA	1000 mA	1350 mA	2500 mA
Recharge 24h	190 mA	425 mA	525 mA	1150 mA

<sup>1</sup> For 36 Ah battery capacity, you need to install 2 x 18 Ah batteries.  
You will need a second tamper-protected cabinet to house the second battery.

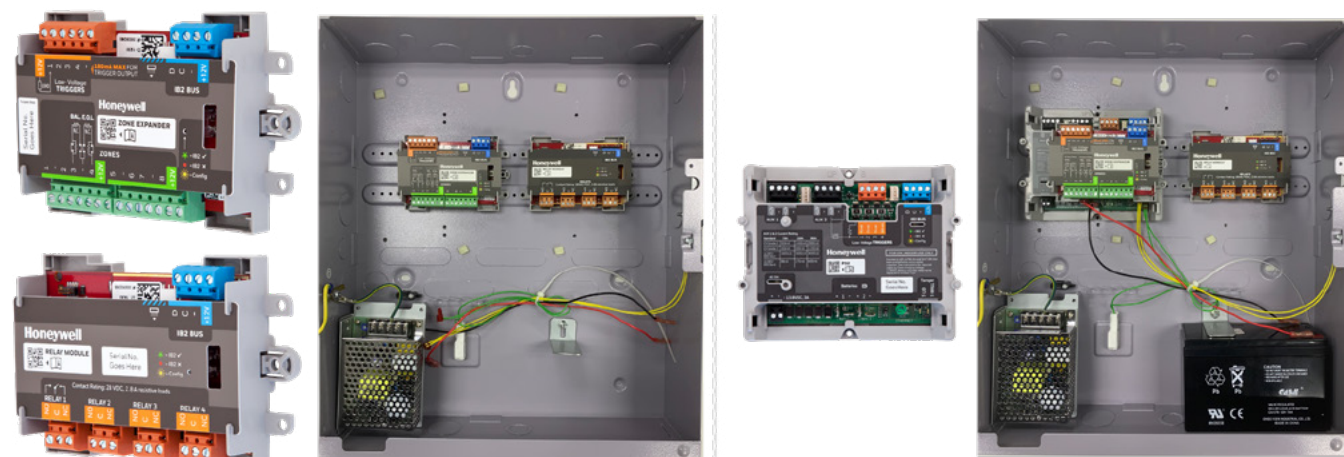
# ACS PRO - I/O MODULE REMOTE EXPANSION SOLUTIONS

## EXPANSION MODULE MOUNTING OPTIONS

Expansion modules in the default plastic enclosure can be wall mounted in the field. The modules contain a cover tamper. The modules can be mounted on DIN-Rail as well, after mounting DIN-rail adapters (MPDIN10).



As the outer enclosure can be removed, the expansion module is fitted in a plastic bracket, keeping the relevant installation information with the module. Up to two expansion modules can be mounted inside an empty cabinet (MPA2ENCME), which adds a 12 V / 3.3 A power supply for additional power. Include the remote power supply for battery back up operation and proper power distribution. One expansion module can be mounted on top of the remote power supply.



2 expansion modules in metal enclosure with power supply, without battery backup

2 expansion modules in metal enclosure with remote power supply, with battery backup

Additionally, one expansion module in bracket can easily be mounted inside the cabinet on top of the ACS PRO controller plastic frame. Both the wall enclosure (ACS3002E-MPS / MPA2ENCME) and the 19-inch enclosure (ACS4C3-2 in MPACSEN2U) provides enough space for this type of mounting.



# ACS PRO - I/O MODULE REMOTE EXPANSION SOLUTIONS

**TABLE 1. TECHNICAL SPECIFICATIONS**

Specifications		2 to 16 Door Solutions: ACS4C3-2, ACS3002E-MPS
<b>Communications</b>	<b>Built-in Communication Options</b>	Fast ethernet, USB (service only)
	<b>Field Device Expansion Module Connectivity via RS-485 Secure IB2</b>	Not available in ACS4C3-2 2-door basic model After license ACS-LIC2D upgrade: Two RS-485 busses to connect Expansion Modules or field devices via Secure IB2 protocol <sup>(3)</sup> , such as: - Zone expander (8 input, 4 open collector output, IB2 (MPIEIO84E) - 4 output module, IB2 (MPIEOP4) - Door Controller Module DCM Plus (MB-DC001) <sup>(1)</sup>
	<b>Field Device Connectivity via RS-485 Modulbus</b>	Not available in ACS4C3-2 2-door basic model After license ACS-LIC2D upgrade: Two RS-485 busses to connect ACS-8 field devices via default Modulbus protocol <sup>(3)</sup> , such as: - Input module, RS-485 (026590) - Output module, RS-485 (026591) - Input/output module, RS-485 (026592) - Door module, 12 Vdc, RS-485 (026593.10) - Door module, 230 Vac, RS-485 (026594.10) - Door Controller Module DCM Plus (MB-DC001)
<b>Readers/Doors</b>	<b>Door/Reader Capacity</b>	ACS4C3-2, ACS3002E-MPS, by default: 2 doors - 4 readers in RS-485 Modulbus <sup>(2)</sup> and clock/data mode
	<b>Door Expandability via Licenses</b>	Use ACS-LIC2D license to expand ACS4C3-2 to 4-door controller Use ACS-LIC4D license to expand ACS4C3 per 4 doors up to 16 doors <sup>(3)</sup>
	<b>Reader Compatibility</b>	By default Modulbus protocol readers, selectable to clock/data readers per 2 reader ports, supporting proX, MIFARE Classic, MIFARE DESFire, LEGIC prime, LEGIC advant
<b>Outputs</b>	<b>Number of Door Outputs</b>	4 change over contact (jumper selectable NO or NC) - per door output rated at 3 A @ 30 Vdc (voltage free) or 4 change over contact (jumper selectable NO or NC) - per 2 door outputs rated at 750 mA @ 12 Vdc (self-powered from panel) <sup>(4)</sup>
	<b>Number of Auxiliary Outputs</b>	As ACS4C3-2 2-door basic model: 2 change over contact (jumper selectable NO or NC) - per door output rated at 3 A @ 30 Vdc (voltage free) or 2 Change over contact (jumper selectable NO or NC) - per 2 door outputs rated at 750 mA @ 12 Vdc (self-powered from panel) <sup>(4)</sup> and 4 NO contact outputs (NC selectable in software) rated at 3 A @ 30 V (voltage free) After license ACS-LIC2D upgrade: 4 NO contact outputs (NC selectable in software) rated at 3 A @ 30 V (voltage free)
	<b>Output Expandability via RS-485 Secure IB2 Expansion Modules</b>	Not available in ACS4C3-2 2-door basic model. After license ACS-LIC2D upgrade: Maximum 128 field relays or open collector outputs via up to 32 IB2 Expansion Modules or field devices <sup>(3)</sup> Connect expansion modules or field devices via secure IB2 protocol <sup>(3)</sup> (up to 16 devices per RS-485 extension bus), such as: - Zone expander, IB2 (MPIEIO84E) (4 open collector outputs per module) - 4 output module, IB2 (MPIEOP4) (4 relay outputs per module) - Door Controller Module DCM Plus (MB-DC001) (3 outputs per device) <sup>(1)</sup>
	<b>Output Expandability via RS-485 Modulbus Field Devices</b>	Not available in ACS4C3-2 2-door basic model. After license ACS-LIC2D upgrade: Maximum 256 field relays via up to 64 Modulbus output devices <sup>(3)</sup> Connect ACS-8 field devices via default Modulbus protocol (up to 32 devices per RS-485 extension bus), such as: - Output module, RS-485 (026591) (4 outputs per device) - Input/output module, RS-485 (026592) (2 outputs per device) - Door module, 12 Vdc, RS-485 (026593.10) (3 outputs per device) - Door module, 230 Vac, RS-485 (026594.10) (3 outputs per device) - Door Controller Module DCM Plus (MB-DC001) (3 outputs per device)

(1) From Q4-2025

(2) Fully encrypted using encoded MIFARE DESFire cards

(3) Not directly for ACS4C3-2 2-door basic systems without additional door licenses

(4) When using RJ-45 terminal connections, the output current is limited to 500 mA per RJ-45 connector

# ACS PRO - I/O MODULE REMOTE EXPANSION SOLUTIONS

**TABLE 1. TECHNICAL SPECIFICATIONS**

Specifications		2 to 16 Door Solutions: ACS4C3-2, ACS3002E-MPS
<b>Inputs</b>	<b>Number of Inputs</b>	16 (+8) configurable four-state supervised input points Factory default settings: Status, REX, 2 reader tampers, and 8 auxiliary inputs
	<b>Input Supervision</b>	All inputs can be configured in supervised double balanced resistor values: - 1 kOhm (default on expansion module MPIEIO84E) - 2.2 kOhm (default on ACS PRO controller) - 12.1 kOhm (backward compatible with ACS-8 field peripherals) - Unsupervised (digital input) (available from FW version higher than V02.04)
	<b>Input Expandability via RS-485 Secure IB2 Expansion Modules</b>	Not available in ACS4C3-2 2-door basic model. After license ACS-LIC2D upgrade: Maximum 256 field inputs via up to 32 IB2 Expansion Modules or field devices. <sup>(3)</sup> Connect Expansion Modules or field devices via Secure IB2 protocol <sup>(3)</sup> (up to 16 devices per RS-485 extension bus), such as: - Zone expander, IB2 (MPIEIO84E) (8 inputs per module) - Door Controller Module DCM Plus (MB-DC001) (4 inputs per device) <sup>(4)</sup>
	<b>Input Expandability via RS-485 Modulbus Field Devices</b>	Not available in ACS4C3-2 2-door basic model. After license ACS-LIC2D upgrade: Maximum 256 field inputs via up to 64 Modulbus field devices. <sup>(3)</sup> Connect ACS-8 field devices via default Modulbus protocol (up to 32 devices per RS-485 extension bus), such as: - Input/output module, RS-485 (026592) (4 inputs per device) - Door module, 12 V DC, RS-485 (026593.10) (4 inputs per device) - Door module, 230 V AC, RS-485 (026594.10) (4 inputs per device) - Door Controller Module DCM Plus (MB-DC001) (4 inputs per device)
	<b>Panel Tamper</b>	ACS PRO controller: panel door, off-wall and back tamper/external tamper Expansion modules: Cover tamper
	<b>FACP (Fire) Input (ACS PRO)</b>	Normally closed contact or reversed polarity triggered fire input forces all 4 door outputs in fail-safe state, releasing fail-safe locking devices and unlocking all connected doors for escape/evacuation purposes Hardware solution overrides any software or controlled setting
	<b>Power Inputs</b>	<b>Standard Power Supply Unit from Metal Enclosure</b> 100 to 240 Vac, 50/60 Hz Input provides 13.8 Vdc @ 3.3 A <b>Controller Power Input</b> 10 ~19 Vdc, Typical 13.8 Vdc (standard power supply from metal enclosure)
<b>Power Outputs</b>	<b>Power for Locking Devices and Other Peripherals</b>	12 Vdc, up to 750mA per 2 door outputs for locking devices Total power output from panel to devices: 3 A @ 12 Vdc
	<b>Backup Battery System</b>	12 Vdc, 7~12 Ah battery (Not included)
<b>Enclosure ACS PRO Controller</b>	<b>Material</b>	Metal, grey similar to RAL7500
	<b>Wiring Holes/Knockouts</b>	20 aligned holes
	<b>Power Supply Unit</b>	Included and mounted
	<b>Front Cover</b>	MPA2ENCME/ACS3002E-MPS: metal, blind, grey similar to RAL7500
	<b>Protection Class</b>	IP30 (EN 600529)
<b>Installation</b>	<b>Environmental Class per VdS</b>	Not applicable
	<b>Removable Terminal Blocks</b>	Power supply, battery, fire input, push-in for all door peripherals and auxiliary inputs and outputs
	<b>Graphic Wiring Info Cards</b>	Color-coded/door label for additional wiring instructions
<b>System Information</b>	<b>RJ-45 Terminals</b>	Reader ports, door peripherals (use with MPA2S5), RS-485 busses (active after ACS-LIC2D license upgrade), 2 ethernet ports (only Host active)
	<b>Real Time Clock</b>	Geographical time zone support, daylight savings time support
	<b>Clock Synchronization</b>	Yes: via host software
	<b>Processor</b>	NPX i.MX6
	<b>System MTBF</b>	250,000 hours
	<b>Temperature Ratings</b>	Operating (including battery): -10°C to +45°C (14°F to 113°F) Storage: -40°C to +85°C (-40°F to 185°F)
	<b>Humidity</b>	5% ~ 96% RHNC
<b>Certifications and Approvals</b>	EMC/CE	

(1) From Q4-2025

(2) Fully encrypted using encoded MIFARE DESFire cards

(3) Not directly for ACS4C3-2 2-door basic systems without additional door licenses

(4) When using RJ-45 terminal connections, the output current is limited to 500 mA per RJ-45 connector

# ACS PRO - I/O MODULE REMOTE EXPANSION SOLUTIONS

TABLE 1. TECHNICAL SPECIFICATIONS		
Specifications		2 to 16 Door Solutions: ACS4C3-2, ACS3002E-MPS
Physical	Dimensions	360 mm (W) x 410 mm (H) x 110 mm (D)
	Weight	KIT ACS3002E-MPS: 5.8 kg (battery not included)
LEDs	Status LEDs	7 visible LEDs: 3 power LED, battery LED, Bluetooth low energy LED, RUN LED (indicating number of doors licensed) FW LED (indicating number of other licenses) 26 LEDs on RJ-45 connectors: communication, reader mode, reader communication, door peripheral states
Host Modes	Software/Platform	IQ-MultiAccess
	Visualization	WINMAG
Door Control	Door Control Modes	<ul style="list-style-type: none"> <li>- Card only</li> <li>- PIN only</li> <li>- Card or PIN</li> <li>- Card and PIN</li> <li>- Door lockdown</li> <li>- Disabled door</li> <li>- Limited use card</li> <li>- Expire on date</li> <li>- True and timed anti-passback</li> <li>- Duress, man-trap, turnstyle</li> </ul>
	Macros for Customer Actions	Yes
	Anti-Passback Capability	Local and via host software; hard and soft APB available and timed anti-passback
Cards and Database	Card Event and Buffer Capacity	30000
	Firmware Revision	V02.04+ firmware updates via ACS PRO Set up tool
	Export Capability	Via host software
	Card Formats	proX, MIFARE Classic, MIFARE DESFire, LEGIC prime, LEGIC advant
	Room Time Zone	512
	Holidays	512
Reporting/Diagnostics	Reports	Via host software

(1) From Q4-2025

(2) Fully encrypted using encoded MIFARE DESFire cards

(3) Not directly for ACS4C3-2 2-door basic systems without additional door licenses

(4) When using RJ-45 terminal connections, the output current is limited to 500 mA per RJ-45 connector

TABLE 2. LICENSING INFORMATION				
ACS PRO Controller	Solution		Required Licenses	
	Access Controlled Doors	RS-485 (BUS 3 AND 4) Field Device Busses	ACS-LIC2D: 2-Door Upgrade from Basic Model	ACS-LIC4D: 4-Door Upgrade from 4-Door and Higher
Basic Model: ACS4C3-2, ACS3002E-MPS	2	Deactivated	None	None
	4	Modulbus or IB2	1	None
	8	Modulbus or IB2	1	1
	12	Modulbus or IB2	1	2
	16	Modulbus or IB2	1	3
VdS Model: ACS4C3, ACS3004V-MPS	4, not extendable	Yes: for Modulbus readers only	None	None

Note: Other configurations are not applicable.

For extension/upgrade of already upgraded controllers, add the difference between the required licenses and the installed licenses

# ACS PRO - I/O MODULE REMOTE EXPANSION SOLUTIONS

**TABLE 3. ORDERING INFORMATION**

Solution	Description
ACS3002E-MPS	ACS PRO - 2-door basic model, controller and metal enclosure, PSU, no external busses
ACS3004V-MPS	ACS-4-door controller and metal enclosure, PSU, VdS/EN60839-11-1/2 compliant
Extension Licenses	Description
ACS-LIC2D	License for ACS4C3-2/ACS3002E-MPS, upgrading to full 4-door controller
ACS-LIC4D	License for ACS4C3-2/ACS3004E-MPS, allowing the controller to manage 4 extra doors
ACS-LICOW	License for ACS4C3-2/ACS3002E-MPS/ACS3004E-MPS to allow one OSDP or Wiegand reader <b>Note: 10 Licenses allows unlimited OSDP/Wiegand readers on ACS PRO controller</b>
Accessories	Description
ACS4C3-2	ACS PRO - 2-door controller, in plastic bracket, extendable
ACS4C3	ACS-4-door controller, in plastic bracket, for VdS/EN60839-11-1/2 compliant systems (FW1.18+)
MPA2ENCME	Metal wall mount enclosure + PSU for ACS4C3-2 2-door controller and IB2 expansion modules
MPACSENCM2U	Metal enclosure 19-inch rack mount + PSU for ACS4C3-2 door controller
ACS4ENCMV	Metal wall mount enclosure + PSU for ACS4C3 4-door controller for VdS compliance
MPDIN10	Set of 10 DIN-rail adapters
MPA2RJ	RJ-45 to 8-screw terminal block
MPA2S5	S5 suppressor/supervisory cable for door peripherals (lock, door contact and REX button)
018004.10	7 Ah lead acid battery, 12 V
018011.10	12 Ah lead acid battery, 12 V
Compatible Expansion Modules Devices	Description
MPIEIO84E	Zone expander module for 8 inputs and 4 open collector outputs via RS-485 secure IB2
MPIEOP4	Relay output module for 4 change over relay outputs via RS-485 secure IB2
MB-DC001	DCM Plus - Door Controller Module, 2-door expansion via RS-485 Modulbus <sup>(1)</sup>
MPIPSU35	Remote power supply 2 × 1.5 A @ 12 Vdc with battery back up (stand alone) <sup>(2)</sup>
Backward Compatible Field Devices	Description
026590	Input module, via RS-485 Modulbus (end of life)
026591	Output module, via RS-485 Modulbus (end of life)
026592	Input/output module, via RS-485 Modulbus (end of life)
026593.10	Door module, 12 Vdc, via RS-485 Modulbus (end of life)
026594.10	Door module, 230 Vac, via RS-485 Modulbus

(1) Modulbus only, IB2 compatible available from Q4- 2025

(2) IB2 bus connection functional on ACS PRO from 2026

## For More Information

[info.security.de@honeywell.com](mailto:info.security.de@honeywell.com)

[www.security.honeywell.de](http://www.security.honeywell.de)

[hwll.co/securityDE](http://hwll.co/securityDE)

## Building Automation

Commercial Security

Novar GmbH

Johannes-Mauthe-Str. 14

72458 Albstadt

Deutschland

[www.honeywell.com](http://www.honeywell.com)